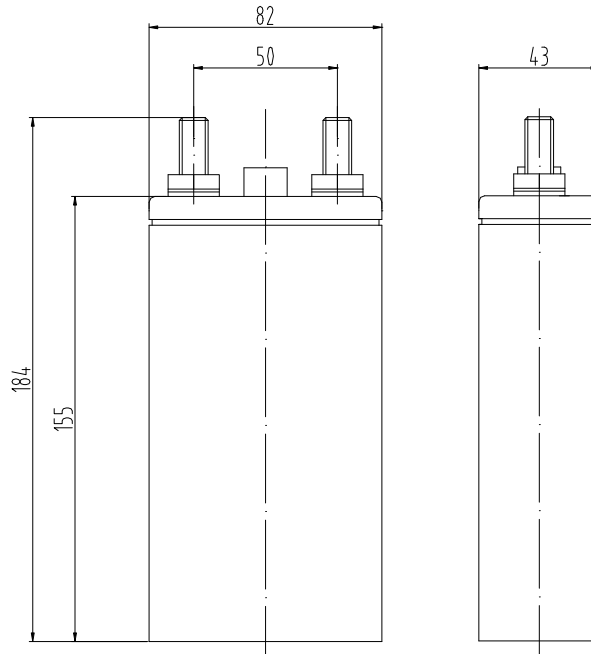


UCP14V10000



Length:	184 mm
Length not including diodes:	155 mm
Width:	82 mm
Thickness:	43 mm
Distance between diodes:	45 mm

Rating Voltage, V	1.4~0.9
Lowest static voltage, V	1.0
Static capacitance, F	10,000
Storage, kJ	12.8
Inner Resistance, mΩ	Under 0.65
Life cycles	Over 200,000 cycles
Weight in kilograms	0.85
Size (L×W×H) , mm	82×43×185
Working temperature, °C	-40 °C to 60 °C