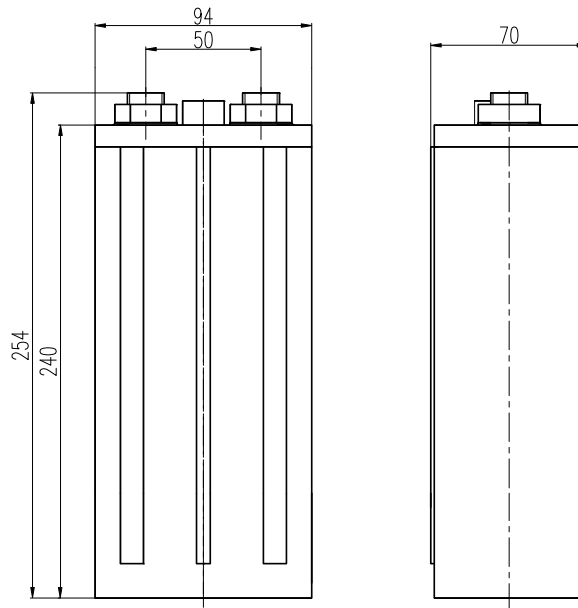


## Model UCE15V80000



Length:	254 mm
Length not including diodes:	240 mm
Width:	94 mm
Thickness:	70 mm
Distance between diodes:	50 mm

Rating Voltage, V	1.5~0.9
Lowest static voltage, V	1.0
Static capacitance, F	80,000
Storage, kJ	57
Inner Resistance, mΩ	Under 0.50
Life cycles	Over 50,000 cycles
Weight in kilograms	2.50
Size (L×W×H) , mm	94×70×254
Working temperature, °C	-40 °C to 60 °C