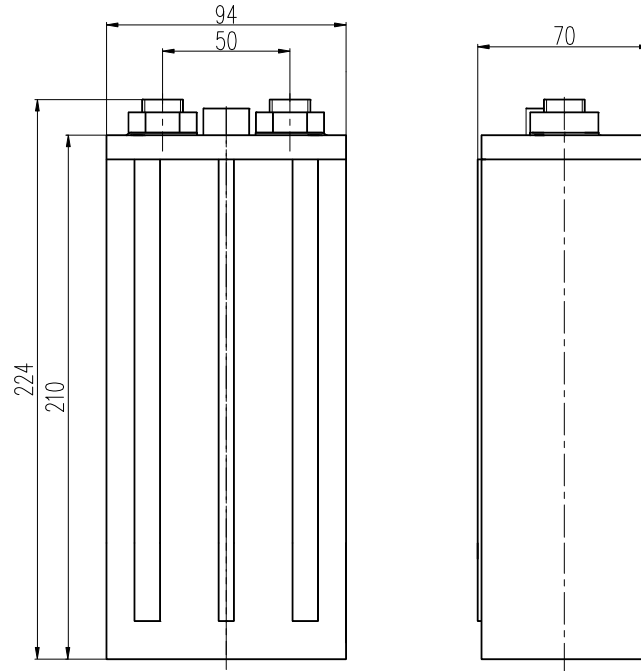


Model UCE 15V50000



Length:	224 mm
Length not including diodes:	210 mm
Width:	94 mm
Thickness:	70 mm
Distance between diodes:	50 mm

Rating Voltage, V	1.5~0.9
Lowest static voltage, V	1.0
Static capacitance, F	50000
Storage, kJ	40
Inner Resistance, mΩ	Under 0.55
Life cycles	Over 50,000 Cycles
Weight in kilograms	1.95
Size in millimeters	94×70×224
Working temperature, °C	-40~+60