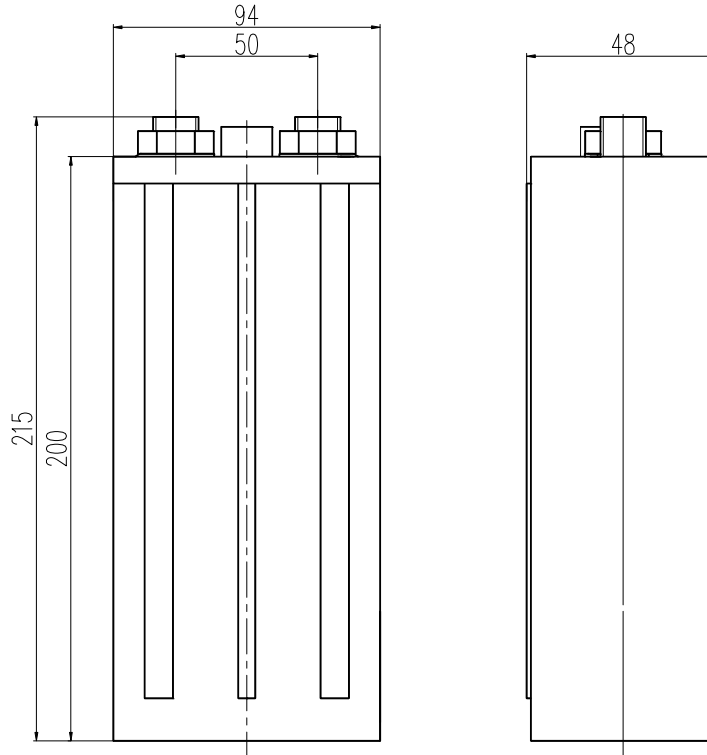


## Model UCE15V30000



Length:	215 mm
Length not including diodes:	200 mm
Width:	94 mm
Thickness:	48 mm
Distance between diodes:	50 mm

Rating Voltage, V	1.5~0.9
Lowest static voltage, V	1.0
Static capacitance, F	30,000
Storage, kJ	22
Inner Resistance, mΩ	Under 0.60
Rating current, A	150
Life cycles	Over 50,000 Cycles
Weight in kilograms	1.7
Size (L×W×H) , mm	94×48×215
Working temperature, °C	-40 °C to 60 °C